

# FLEX 72L Upgrade Kit Installation Guide

Fixture: FLEX- Fixed Arm (HID to LED)

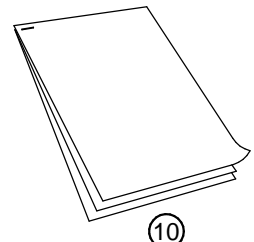
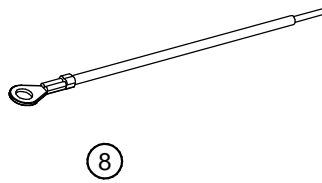
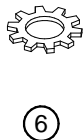
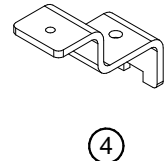
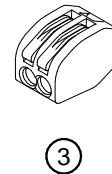
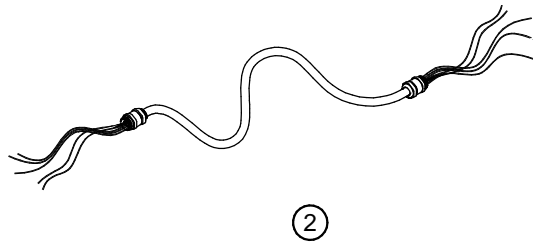
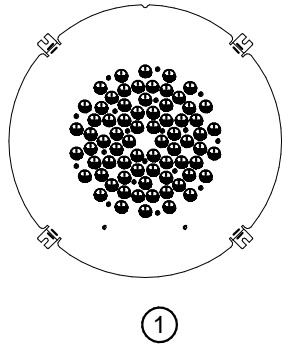


**WARNING:** Fixtures must be grounded in accordance with local codes or the National Electrical Code. Failure to do so may result in serious personal injury.

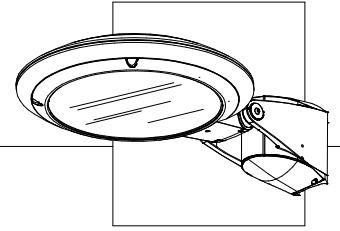
**MAINTENANCE:** A regularly scheduled maintenance program should be established to retain optimum light output and reduce heat retention. Dusting with a soft, clean, dry cloth is normally sufficient for the optics.

**CAUTION:** All wiring must be done by a qualified electrician. KEEP THIS SHEET FOR FUTURE REFERENCE.

## UPGRADE KIT CONTENTS



| ITEM # | QTY | PART #   | DESCRIPTION                             |
|--------|-----|----------|---|
| 1      | 1   | -        | FLEX2 72LED OPTICAL ARRAY               |
| 2      | 1   | A40248   | CONDUIT ASSY-5 GA 44 1/2in OAL          |
| 3      | 10  | 93035846 | CONN-WAGO 2-WIRE 221-412                |
| 4      | 4   | 93044354 | BRKT-MNT-56LED-FLEX                     |
| 5      | 8   | A84346   | SCR-10-24X5/8 PHH PHMS SS               |
| 6      | 4   | A84104   | WSHR-No. 10 LK EXT TOOTH SS             |
| 7      | 1   | 82246    | GASKET MOLDED GROMMET (10 HOLE)         |
| 8      | 1   | A74034-6 | WIRE-14GA LEAD 6in GRND SF2             |
| 9      | 1   | A84409   | SCR-8-32 GROUND-DEROSA No. B628         |
| 10     | 1   | 93046643 | INTS-(FLEX-72LED) UPGRADE-FIXED ARM MNT |



# FLEX 72L Upgrade Kit Installation Guide

Fixture: FLEX- Fixed Arm (HID to LED)

## REMOVE EXISTING REFLECTOR ASSEMBLY

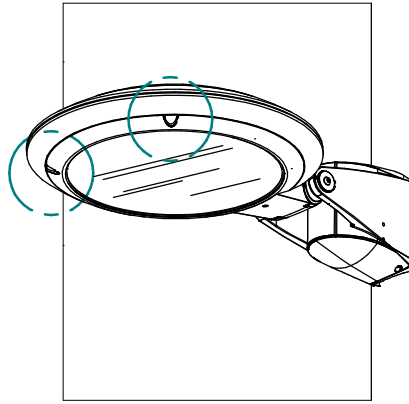


FIG. 1-1

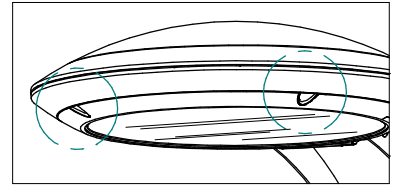


FIG. 1-1A

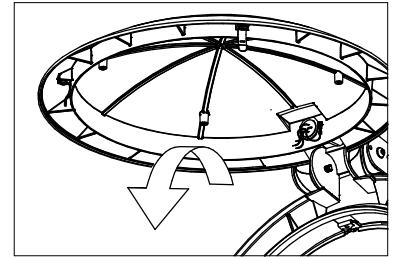


FIG. 1-2

## REMOVE EXISTING BALLAST

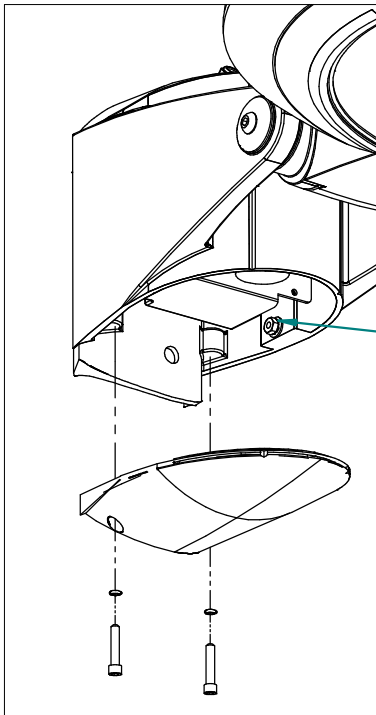


FIG. 2-1

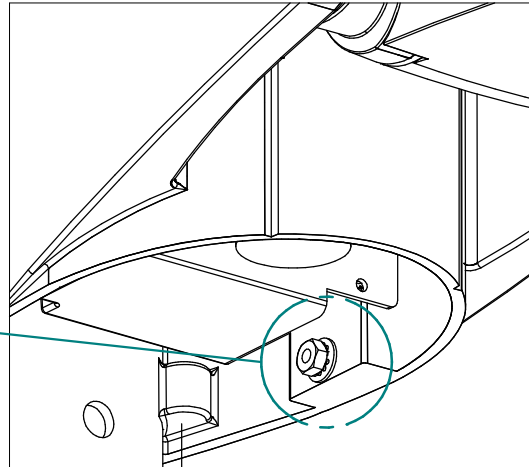


FIG. 2-1A

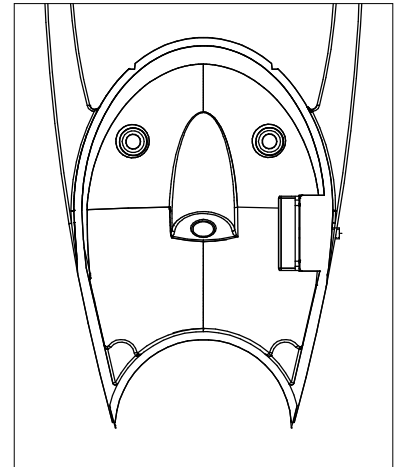
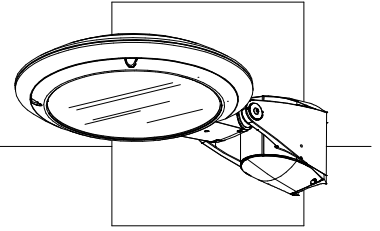


FIG. 2-2



# FLEX 72L Upgrade Kit Installation Guide

Fixture: FLEX- Fixed Arm (HID to LED)

## INSTALL LED MOUNTING BRACKETS

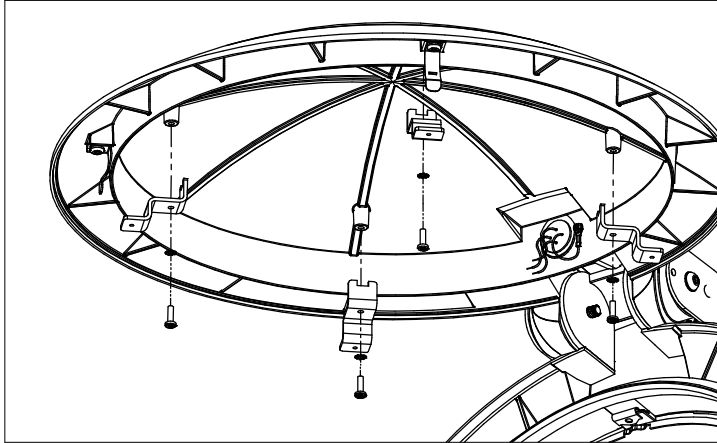


FIG. 3-1

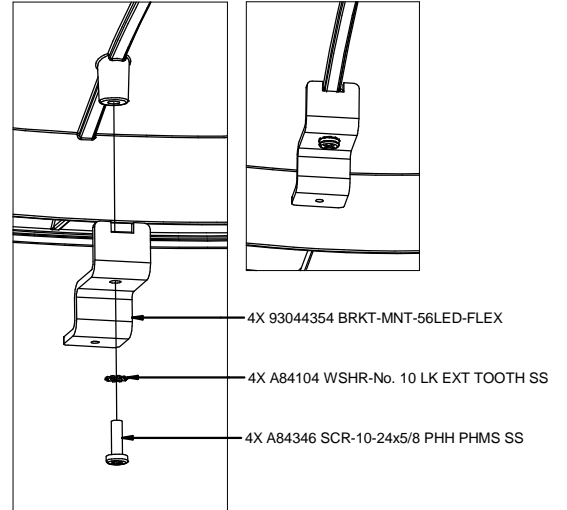


FIG. 3-1A

## REMOVE EXISTING CONDUIT ASSEMBLY

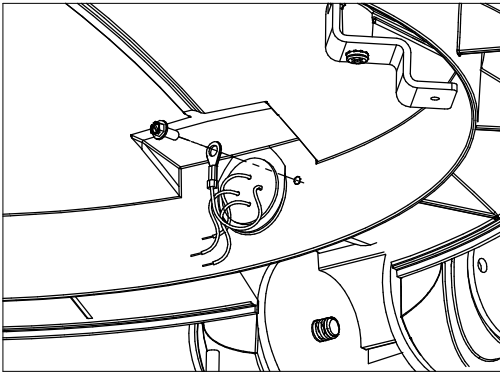


FIG. 4-1

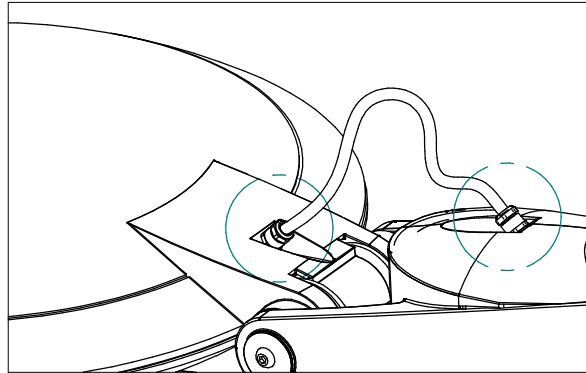


FIG. 4-2

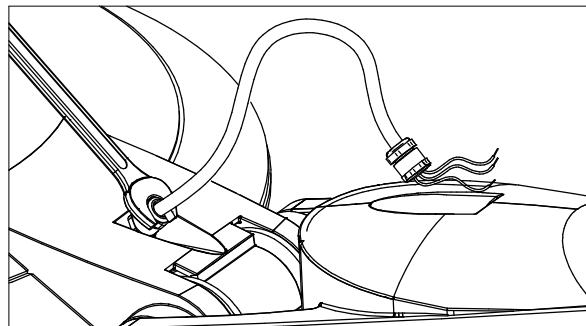
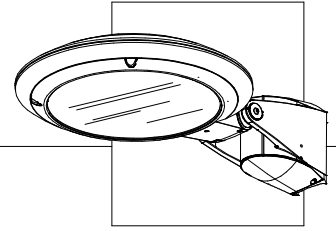


FIG. 4-2B



# FLEX 72L Upgrade Kit Installation Guide

Fixture: FLEX- Fixed Arm (HID to LED)

## INSTALL 5-CONDUCTOR CONDUIT ASSEMBLY

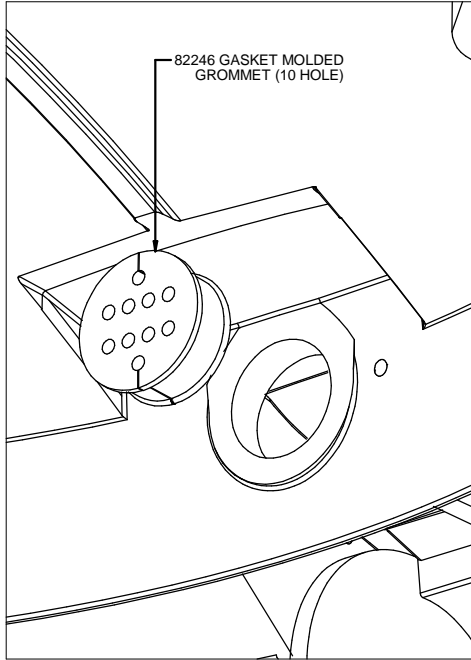


FIG. 5-1

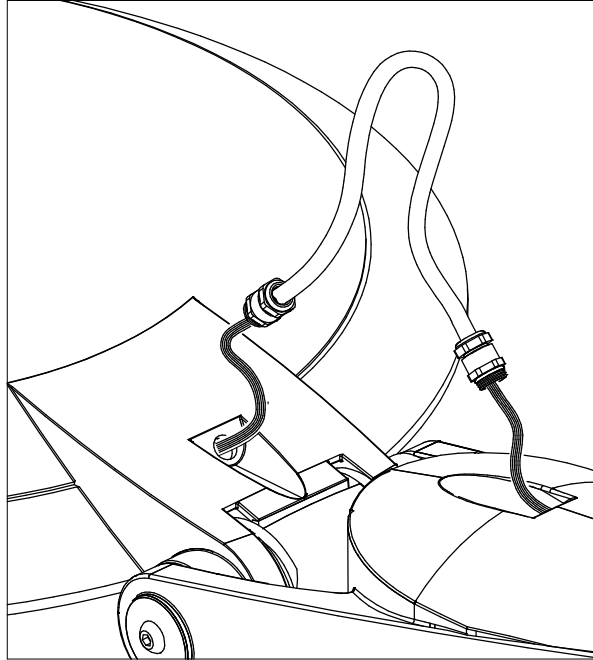


FIG. 5-2

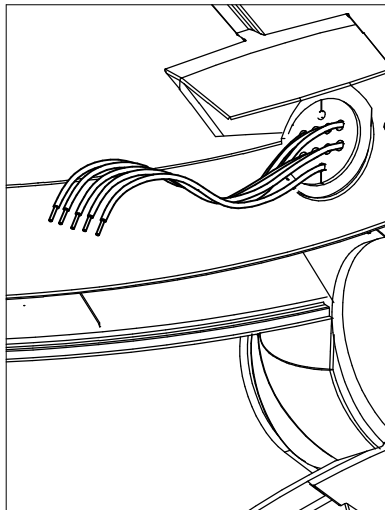


FIG. 5-3

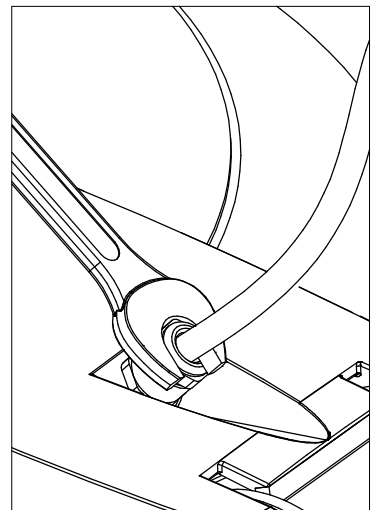
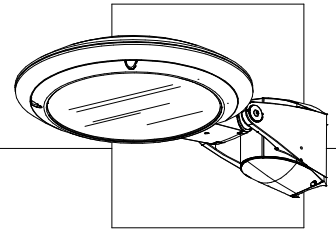


FIG. 5-4



# FLEX 72L Upgrade Kit Installation Guide

Fixture: FLEX- Fixed Arm (HID to LED)

## DRIVER COMPARTMENT CONNECTIONS

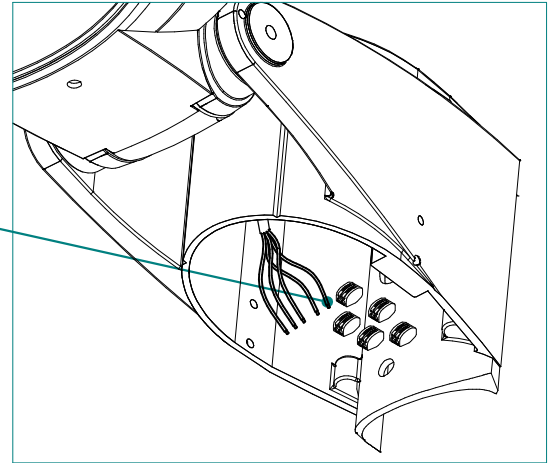
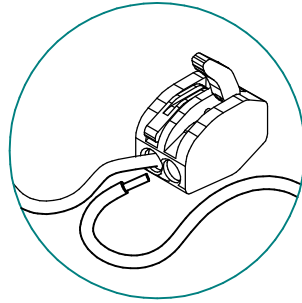


FIG. 6-1

## INSTALL 72LED OPTICAL ARRAY

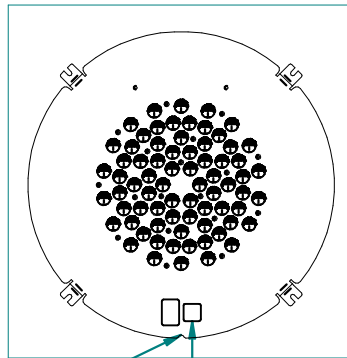


FIG. 7-1

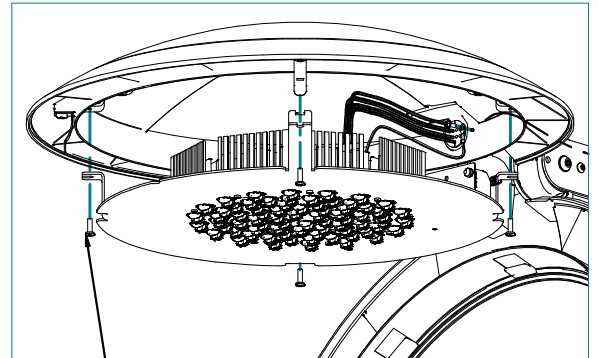


FIG. 7-2



FIG. 7-1B

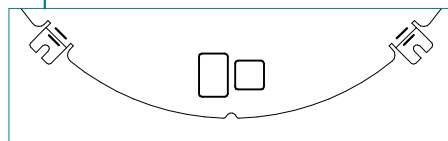


FIG. 7-1A

4X A84346  
SCR-10-24X5/8  
PHH PHMS SS

A84409  
SCR-8-32 GROUND-DEROSA  
No. B628

A74034-12  
WIRE-14GA LEAD 12in GRND SF2

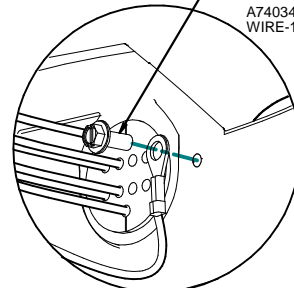
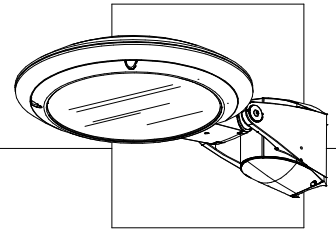


FIG. 7-2B



# FLEX 72L Upgrade Kit Installation Guide

Fixture: FLEX- Fixed Arm (HID to LED)

## \*\*LENS ASSEMBLY

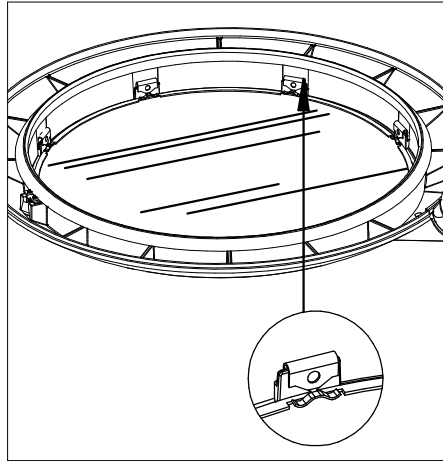


FIG. 8-1

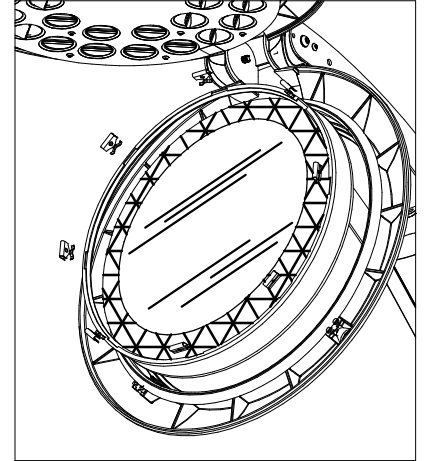
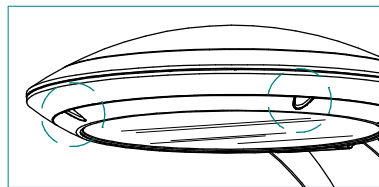
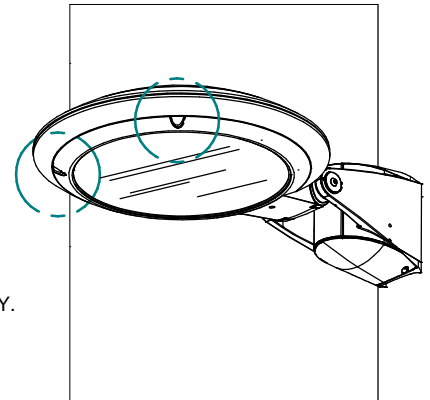


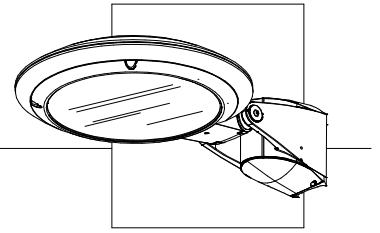
FIG. 8-2

## FINISH INSTALLATION



1. CLOSE LOWER HALF OF THE HOUSING AND MAKE SURE THE LATCH LOCKS COMPLETELY.

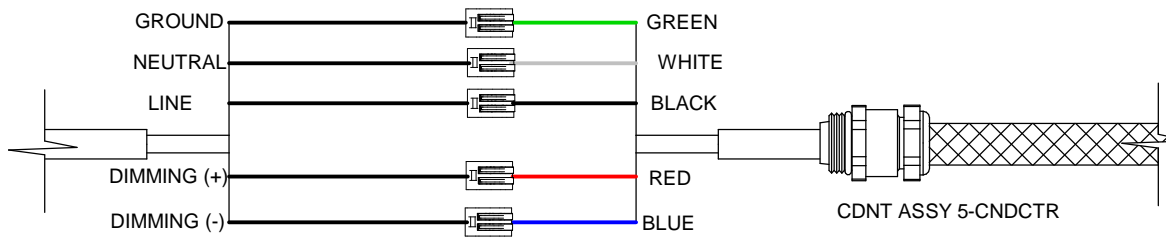




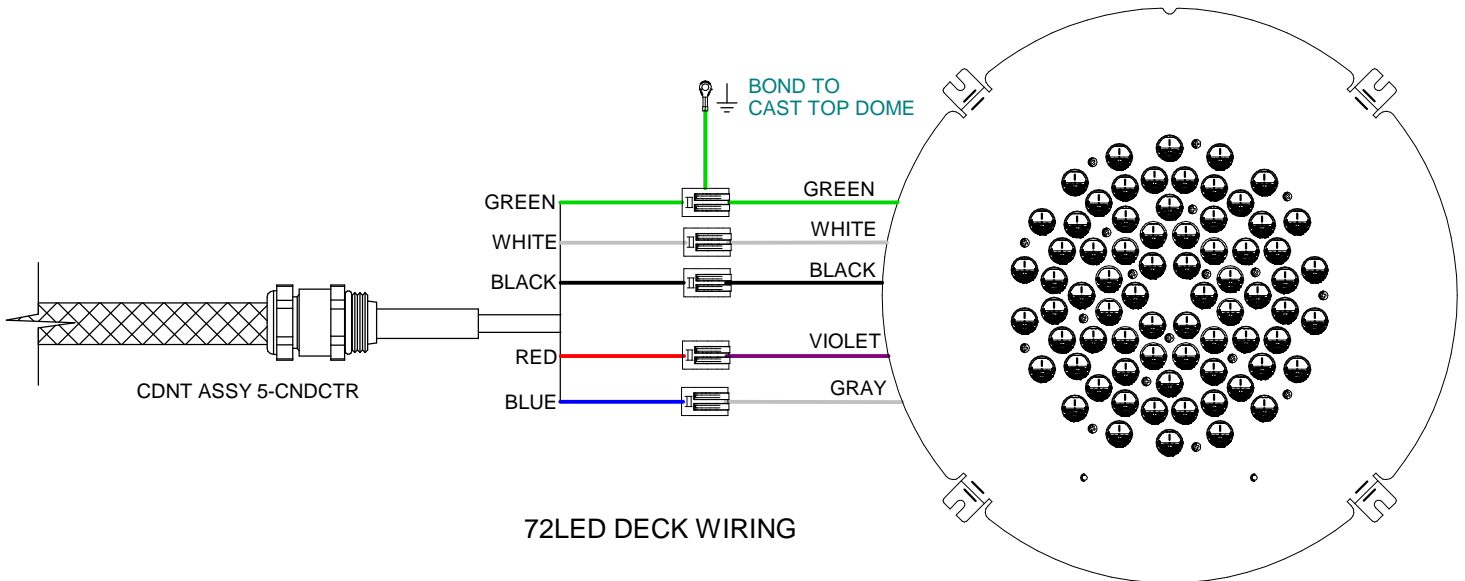
# FLEX 72L Upgrade Kit Installation Guide

Fixture: FLEX- Fixed Arm (HID to LED)

## FLEX 72LED WIRING DIAGRAM



BALLAST COMPARTMENT WIRING



72LED DECK WIRING